



K150 is a single acting chevron ring specially designed to work in water, water-oil mixtures and produced from special formulated reinforced cotton fabric with nitrile rubber.

PRODUCT ADVANTAGES

- Capable of standing pressure changes
- Long service life
- Works in water and water-oil mixture media
- Adjustable housing

APPLICATION

Mining and high pressure cleaning equipment.

MATERIAL	CODE
COTTON FABRIC NBR	NB8503

OPERATING CONDITIONS	
MEDIA	Water and water-oil mixture
TEMPERATURE	-30°C +80°C
PRESSURE	≤250 Bar
SPEED	≤2.0 m/sec

Note: The above data are maximum values and cannot be used at the same time.

SURFACE ROUGHNESS		Ra	Rmax
Sliding Surface	∅d	≤0.3 μm	≤4 μm
Groove Base	∅D	≤1.5 μm	≤10 μm

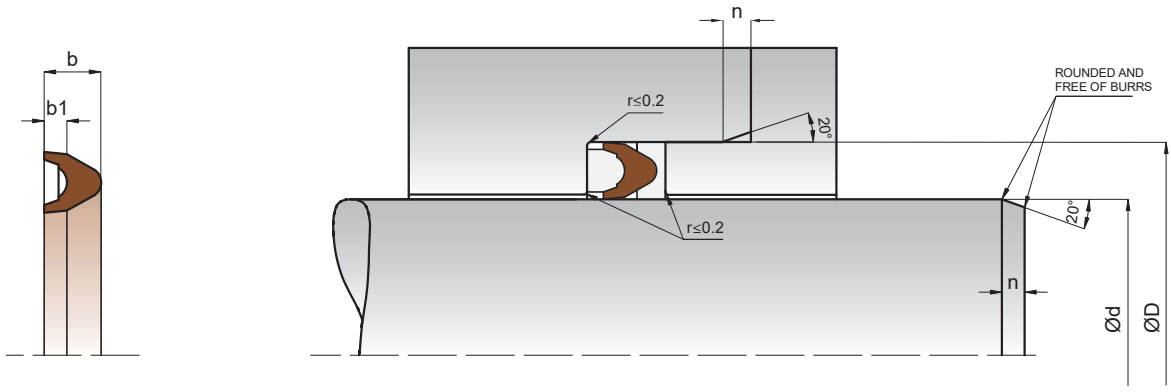
Note: It is recommended to have 50% to 90% of the working surface material contact area value.

INSTALLATION

K150 chevron ring is used in open housing. It is very important that the assembly tools must be of soft material and have no sharp edges. Before installation the sealing element must be oiled with system oil.

NOTES

Thanks to the specially formulated reinforced cotton fabric with nitrile rubber, service life is much longer than the normal cotton fabric seals.



KASTAŞ NO	D (H9)	d (f7)	b	b1	n
K150-025	25	15	5	3	6
K150-026	26	18	5	3	6
K150-028	28	15	6.5	4	7
K150-028/1	28	18	5.5	3.5	6
K150-030	30	15	7.5	4.5	8
K150-030/1	30	16	7	4	8
K150-030/2	30	18	6	3.5	7
K150-030/3	30	20	5.5	3.3	6
K150-032	32	18	7.1	4.6	8
K150-032/1	32	20	6.7	4.5	7
K150-035	35	20	7.5	4.5	8
K150-035/1	35	22	7	4.5	7
K150-035/2	35	24	6	4	7
K150-035/3	35	25	5.5	3.3	6
K150-038	38	22	8.5	3.5	8
K150-038/1	38	25	7	4.6	7
K150-038/2	38	28	6.1	4.1	6
K150-045	45	30	7.5	4.5	8
K150-048	48	36	6	3.5	7
K150-048/1	48	38	6	3.5	6
K150-056	56	36	10	6	9
K150-060	60	45	7.5	4.5	8
K150-060/1	60	50	5.5	3.5	6
K150-065	65	50	7.5	4.5	8
K150-065/1	65	55	5.5	3.5	6
K150-070	70	55	7.5	4.5	8