

K46 is a four piece double acting compact seal consisting of polyurethane sealing ring with NBR energizer O-ring and two special profile guide rings made of thermoplastic to absorb transverse forces.

PRODUCT ADVANTAGES

- Superior sealing performance
- No requirement for an additional guide ring due to the compact design
- Economic sealing and guiding solution
- Simple groove design, one-piece piston possible
- Reducing piston machining cost due to low cross-section thickness
- Easy installation

APPLICATION

Agricultural machinery, industrial applications.

MATERIAL		CODE
PU	92 SHORE A	PU9201
POM		PM9901
NBR	70 SHORE A	NB7001

OPERATING CONDITIONS			
MEDIA	Mineral oils (DIN 51524)	HFA and HFB	HFC
TEMPERATURE	-30°C +100°C	+5°C +50°C	-20°C +50°C
PRESSURE	≤400 Bar	≤400 Bar	≤400 Bar
SPEED	≤0.5 m/sn	≤0.5 m/sn	≤0.5 m/sn

Not: The above data are maximum values and cannot be used at the same time.

SURFACE ROUGHNESS

		Ra	Rmax
Sliding Surface	Ød	≤0.4 µm	≤3.2 µm
Groove Base	ØD	≤1.6 µm	≤6.3 µm
Groove Flanks	B	≤3.2 µm	≤16 µm

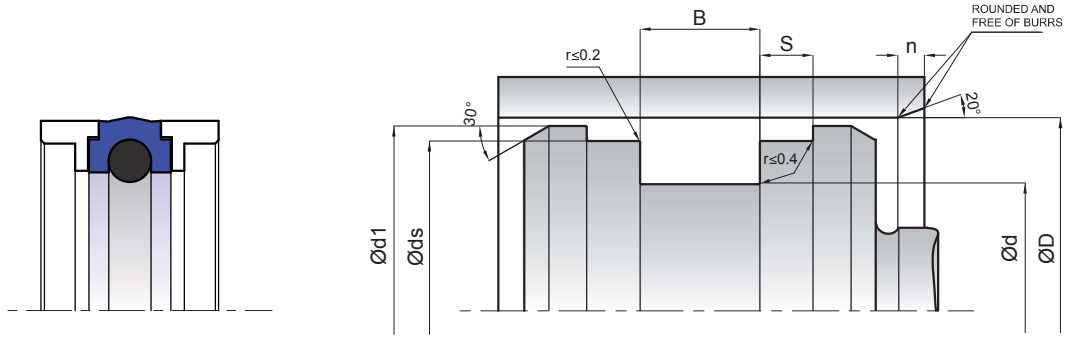
Not: It is recommended to have 50% to 90% of the working surface material contact area value.

INSTALLATION

Easily assembled into one-piece piston because the back-up rings and guide rings are been produced in split forms. It is very important that the assembly tools must be of soft material and have no sharp edges. Before installation the sealing element must be oiled with system oil.

K46

COMPACT SET



KASTAŞ NO	D(H10)	d(h9)	B(-0.0/+0.2)	ds(h8)	d1(±0.1)	S(-0.0/+0.2)	n
K46 025-017	25	17	10	22	24	4	4
K46 032-024	32	24	10	29	31	4	4
K46 040-030/1	40	30	10	36.5	39	5	4
K46 040-030	40	30	11	35.5	39	4	4
K46 050-040	50	40	11	45.5	49	4	4
K46 063-053	63	53	11	58.5	61.5	4	4
K46 070-060	70	60	12.5	67	69	4	4.5
K46 080-070	80	70	11	75.5	78.5	4	4.5
K46 080-070/1	80	70	12.5	77	79	4	4.5
K46 090-080	90	80	12.5	86	88.5	5	4.5
K46 100-087	100	87	14	93.8	98.5	6	5
K46 100-090	100	90	12.5	96	98.5	5	5
K46 038.10-028.57	38.1	28.575	11.2	33.68	37.36	3.54	5
K46 050.80-041.27	50.8	41.275	11.1	46.25	49.4	3.86	5
K46 063.50-053.97	63.5	53.97	11.2	58.93	62.1	3.86	5
K46 076.20-066.66	76.2	66.66	11.2	71.625	74.8	3.86	5
K46 088.90-076.15	88.9	76.15	14.47	82.93	87.5	5.43	5
K46 101.60-088.90	101.6	88.9	14.47	95.63	99.9	5.43	7

Please contact our customer service for the dimensions out of our stock list.