

K742 - STATIC SEAL



K741 is a static seal produced from PTFE ring and a spring energizer. Providing resistance high pressures. K741 has a wide media compatibility.

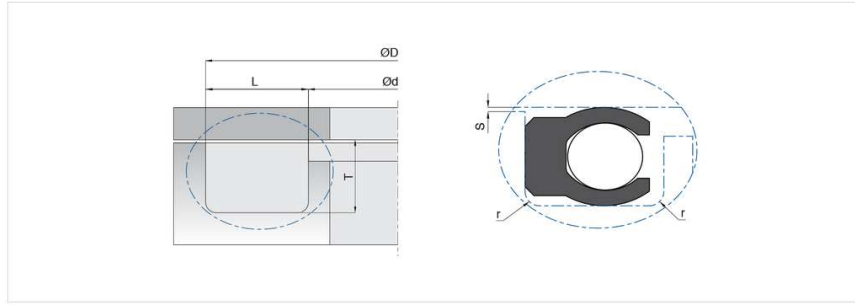
Advantages

- High contact pressure and preloading
- High sealing performance at all fluid types including air and gas
- Wide temperature range
- Long service life

Area of Application

- Compressors
- Spherical Valves
- Chemical Industry
- Oil and gas applications
- Vacuum applications
- Swivel Joints
- Gas chromatography

Material	Code	Pressure (max) bar	Temperature (max) °C	Sliding Speed (max)- m/s
PTFE YAY	PT6005 CN9903	600	-70/+260	



	D (H11)	d	T	Lmin	rmaks	MATERIAL	Kaşağ CODE
K742-010	10	5.2	1.45 (+0.03)	2.4	0.25	PT6005	10038479
K742-012	12	7.2	1.45 (+0.03)	2.4	0.25	PT6005	10038480
K742-014	14	6.8	2.25 (+0.05)	3.6	0.38	PT6005	10038481
K742-015	15	7.8	2.25 (+0.05)	3.6	0.38	PT6005	10038482
K742-016	16	8.8	2.25 (+0.05)	3.6	0.38	PT6005	10038483
K742-018	18	10.8	2.25 (+0.05)	3.6	0.38	PT6005	10038484
K742-020	20	12.8	2.25 (+0.05)	3.6	0.38	PT6005	10038486
K742-022	22	14.8	2.25 (+0.05)	3.6	0.38	PT6005	10038487
K742-025	25	15.4	3.1 (+0.08)	4.8	0.38	PT6005	10038488
K742-028	28	18.4	3.1 (+0.08)	4.8	0.38	PT6005	10038489
K742-030	30	20.4	3.1 (+0.08)	4.8	0.38	PT6005	10038490
K742-032	32	22.4	3.1 (+0.08)	4.8	0.38	PT6005	10038491
K742-035	35	25.4	3.1 (+0.08)	4.8	0.38	PT6005	10038492
K742-036	36	26.4	3.1 (+0.08)	4.8	0.38	PT6005	10038493
K742-040	40	30.4	3.1 (+0.08)	4.8	0.38	PT6005	10038494
K742-042	42	32.4	3.1 (+0.08)	4.8	0.38	PT6005	10038495
K742-045	45	35.4	3.1 (+0.08)	4.8	0.38	PT6005	10038496
K742-048	48	33.8	4.7 (+0.1)	7.1	0.38	PT6005	10038497
K742-050	50	35.8	4.7 (+0.1)	7.1	0.38	PT6005	10038498
K742-052	52	37.8	4.7 (+0.1)	7.1	0.38	PT6005	10038499
K742-055	55	40.8	4.7 (+0.1)	7.1	0.38	PT6005	10038500
K742-056	56	41.8	4.7 (+0.1)	7.1	0.38	PT6005	10038501
K742-060	60	45.8	4.7 (+0.1)	7.1	0.38	PT6005	10038502
K742-063	63	48.8	4.7 (+0.1)	7.1	0.38	PT6005	10038503
K742-065	65	50.8	4.7 (+0.1)	7.1	0.38	PT6005	10038504
K742-070	70	55.8	4.7 (+0.1)	7.1	0.38	PT6005	10038505
K742-075	75	60.8	4.7 (+0.1)	7.1	0.38	PT6005	10038506
K742-080	80	65.8	4.7 (+0.1)	7.1	0.38	PT6005	10038507
K742-085	85	70.8	4.7 (+0.1)	7.1	0.38	PT6005	10038508
K742-090	90	75.8	4.7 (+0.1)	7.1	0.38	PT6005	10038509
K742-095	95	80.8	4.7 (+0.1)	7.1	0.38	PT6005	10038510
K742-100	100	85.8	4.7 (+0.1)	7.1	0.38	PT6005	10038511
K742-105	105	90.8	4.7 (+0.1)	7.1	0.38	PT6005	10038512
K742-110	110	95.8	4.7 (+0.1)	7.1	0.38	PT6005	10038513
K742-115	115	100.8	4.7 (+0.1)	7.1	0.38	PT6005	10038514
K742-120	120	105.8	4.7 (+0.1)	7.1	0.38	PT6005	10038515
K742-125	125	106	6.1 (+0.15)	9.5	0.51	PT6005	10038516
K742-130	130	111	6.1 (+0.15)	9.5	0.51	PT6005	10038519
K742-135	135	116	6.1 (+0.15)	9.5	0.51	PT6005	10038520
K742-140	140	121	6.1 (+0.15)	9.5	0.51	PT6005	10038521
K742-145	145	126	6.1 (+0.15)	9.5	0.51	PT6005	10038522
K742-150	150	131	6.1 (+0.15)	9.5	0.51	PT6005	10038523